

THOR
CAN ADAPTER

INSTALLATION INSTRUCTION

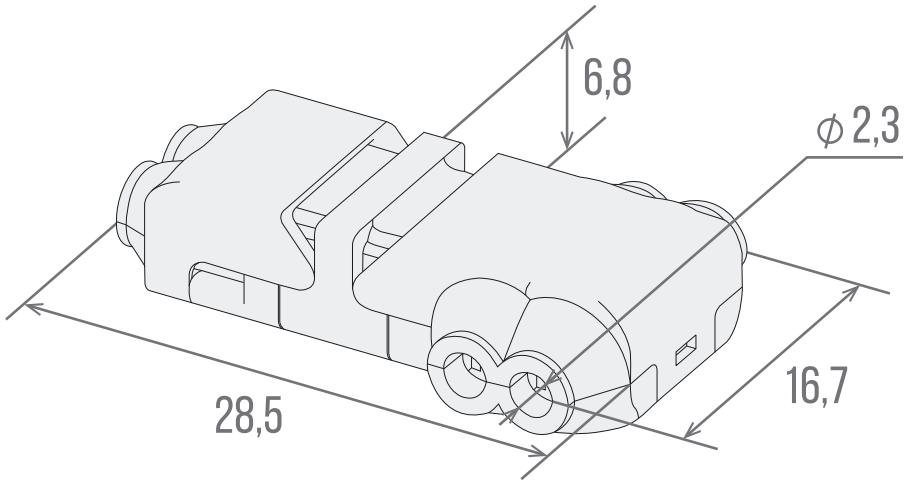


CONTENT

General information	4
Characteristics	4
Equipment	4
Necessary tool	5
General installation recommendations	5
Preparing for installation	6
Installation sequence	6
Security measures	11

GENERAL INFORMATION

CAN adapter is applied for connecting the THOR electronic exhaust system to the vehicle's CAN bus without violating the integrity of the electrical wiring.



CHARACTERISTICS

The adapter has the following characteristics:

- adapter type: piercing;
- wire type: single-core, stranded;
- maximum operating voltage AC and DC: 300 V;
- maximum current: 10 A;
- permissible wire cross-section: 0.5–0.75 sq. mm;
- material: plastic, metal;
- adapter weight: 11 grams.

EQUIPMENT

- Adapter — 1 pc.

NECESSARY TOOL

- Pliers.

GENERAL INSTALLATION RECOMMENDATIONS

If you do not have experience installing electronic devices on a car, it is recommended that you contact professional installers.

Improper installation may result in damage to the vehicle or THOR system components. In this case, THOR is not responsible for any damage incurred.



If this is your first time using the CAN adapter to connect to a Vehicle CAN bus, contact THOR Technical Support for installation information.

Technical support contacts:

Phone / Whatsapp: +74951338589, E-mail: service@thor-tuning.com

If necessary, use the instructions from the official website <https://thor-tuning.com>

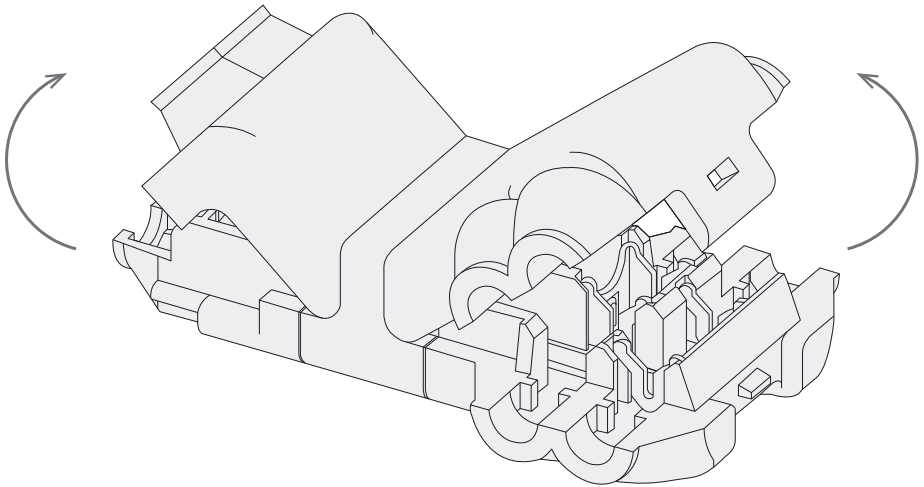


PREPARING FOR INSTALLATION

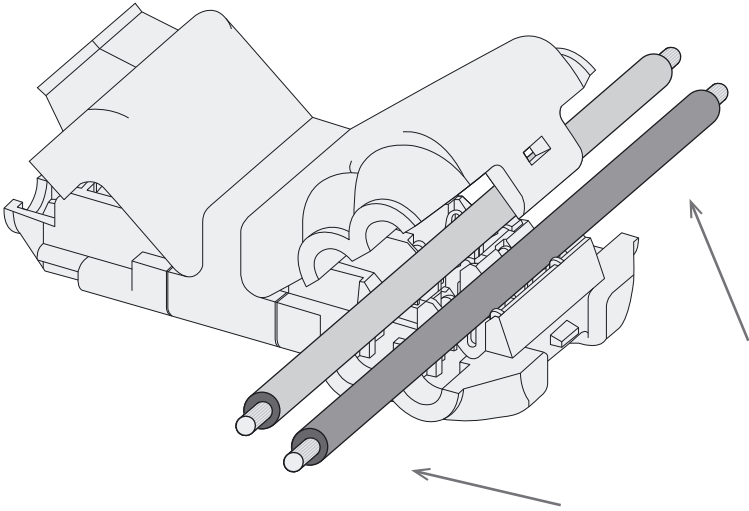
1. Define the site CAN buses, to which there will be connect adapter.
2. Provide convenient access to this section of the CAN bus for installing the adapter.
3. Determine which wire is CAN-H and which is CAN-L. Use one of the methods:
 - review the documentation for your vehicle.
 - contact THOR Technical Support.

INSTALLATION SEQUENCE

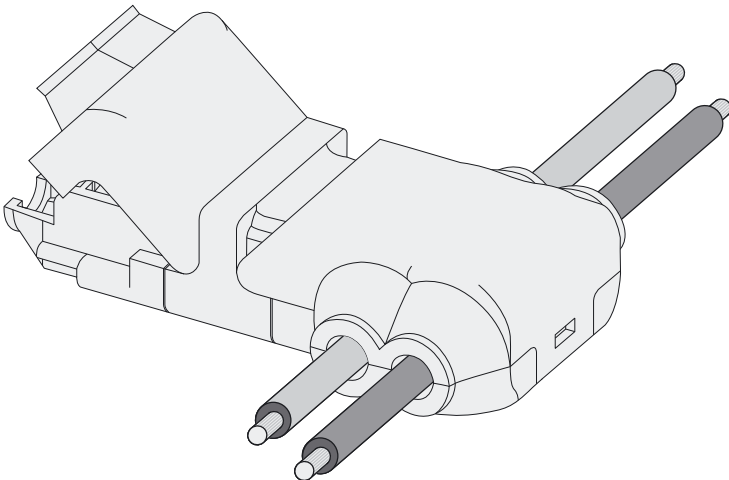
1. Open the latches of the adapter.



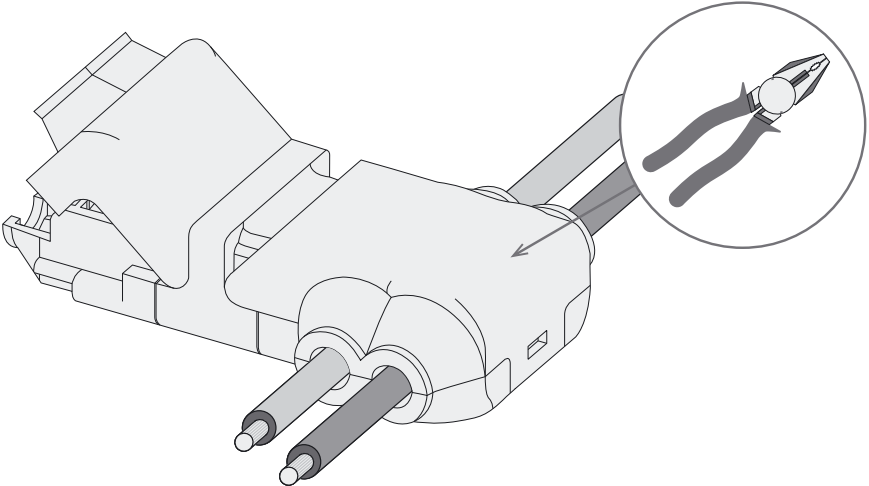
2. Place the wires to which the connection will be made into the adapter.



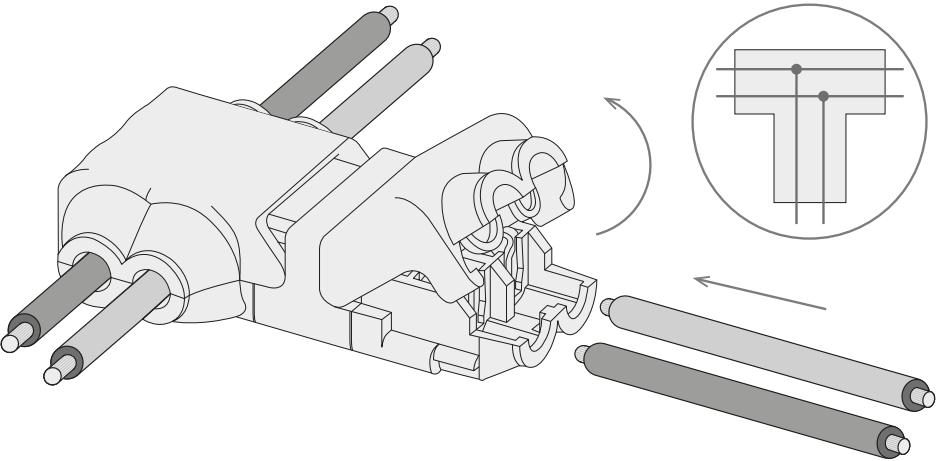
3. Close the latch of the adapter.



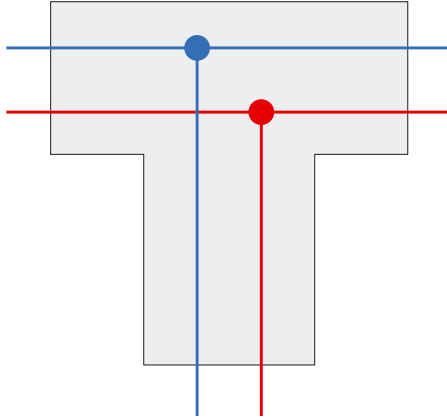
4. Press the adapter with pliers until the adapter latch locks.



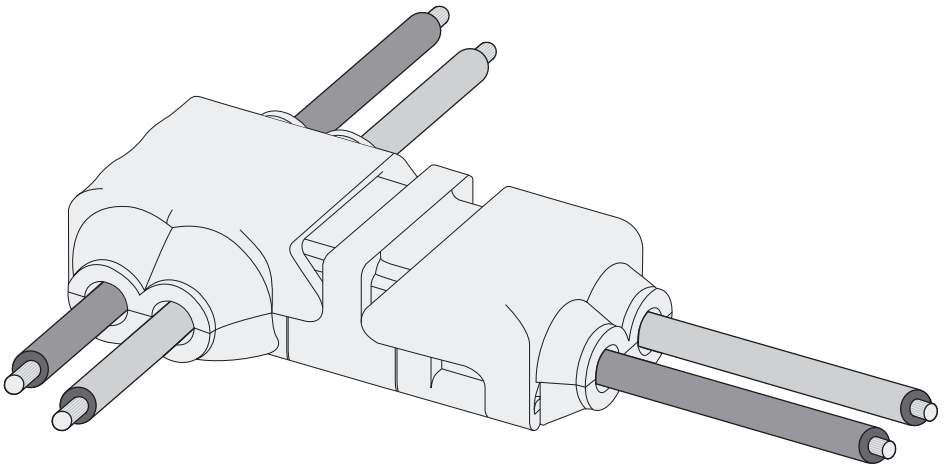
5. Place the wires to be connected into the adapter.



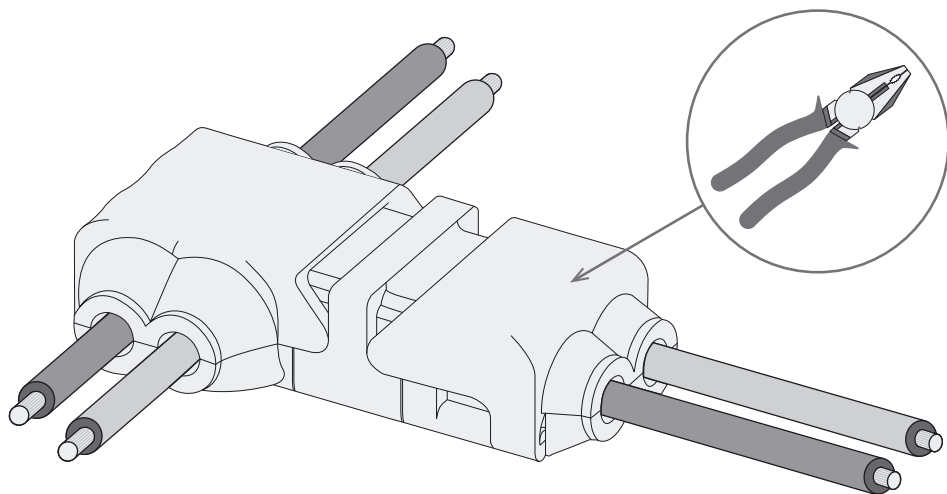
6. Pay attention to the diagram of internal connections (view from the side of the adapter latches).



7. Close the latch of the adapter.



8. Press the adapter with pliers until the adapter latch locks.



9. Check the reliability of the connections and the fixation of the adapter latches.

SECURITY MEASURES

- The adapter must not be installed by persons who are not qualified personnel and have not undergone safety training and testing.
- Do not use a defective tool when installing the adapter.
- Electrical protective equipment and personal protective equipment used in work must comply with the requirements of state standards.
- Do not install the adapter while the engine is running or the vehicle ignition is on.
- Do not install the adapter into fuse boxes located under the hood of the vehicle to avoid loss of structural integrity.



THOR

Phone: +371 661 6 33 22
E-mail: Partners@thor-tuning.com

www.thor-tuning.com